



 **TECHFLEX**
PERFORMANCE SLEEVING



1948



1969



2000

Three Generations

of Customer Service

and Product Expertise

HERITAGE

Since 1963, the Dermody family, founders and operators of Techflex, has been engineering and manufacturing a wide range of braided sleeving products for a variety of industries for hot rod enthusiasts. Our experience with this broad market, as well as our wide selection of general purpose and high-tech specialty products, has made Techflex the first name in braided sleeving solutions.

SERVICE

We are organized and staffed to provide our customers with the finest products and account support possible. Our account personnel are continuously trained in both technical aspects and application possibilities of our entire line of products.

Through the use of our ISO 9001 certified management system, total product quality is maintained throughout the entire organization, from initial product design through final shipment and account follow through.



**Performance
Racing Industry**



For detailed information on all of our products, ask for a copy of our Product Education DVD



INNOVATION

It begins with the most varied and complete range of braided sleeving products in the industry and continues with a corporate culture of customer fulfillment and satisfaction. If your application calls for braided sleeving, and the job needs to be done right, Techflex can do it.

Aggressive new product development programs, combined with a management team dedicated to directly targeting the needs of a constantly evolving market, result in a wide range of exciting products that will fully meet your needs for economical and durable sleeving solutions.



Cert. # US04/3598



CUSTOMIZATION

We are completely in-house equipped to fabricate our products into virtually any size or shape, for any application. Services include high speed digital cutting and counting, customized kitting and private labeling programs. We will fabricate custom material and color combinations to tight specifications. We have facilities for multistep processing such as flattening, rounding, ultrasonic cutting and welding. Our custom services can help you realize your design and application goals.



PRODUCT CONTROL

Our Techflex Spec initiative sets the industry standard for the continuous tracking of products, from their earliest manufacturing steps through final delivery to customers at any volume. Managed receiving, inventory and automatic lot and spool tracing, originator documentation, and constant quality testing and documentation ensure that included products will perform as indicated and will meet the specific needs of all of our customers. This system, along with our program of product reliability assurance means that our customers can remain confident that any Techflex Spec product will not only meet industry standards, but may vastly exceed them in many instances.



Techflex Spec: Products which meet standards for lot traceability and manufacturing documentation.





- Wire/Panel Harnesses
- Wire Bundling
- Climate Control and Heater Hoses/Tubing
- Cable Assemblies
- Fuel/Brake Lines



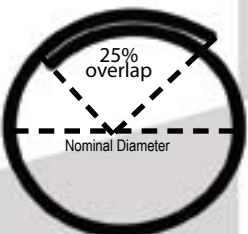
NOMINAL SIZE	PART #	Put-Ups				AVAILABLE COLORS	LBS/ 100'
		BULK BOX	BOX A	BOX B	BAG		
1/8"	F6N0.13	5,000'	400'	100'	25'	Black	0.20
1/4"	F6N0.25	3,000'	200'	100'	20'	Black	0.60
3/8"	F6N0.38	1,000'	150'	75'	12'	Black	1.20
1/2"	F6N0.50	800'	150'	75'	10'	Black	1.40
3/4"	F6N0.75	500'	100'	50'	8'	Black	1.60
1"	F6N1.00	400'	100'	50'	8'	Black	2.00
1 1/2"	F6N1.50	200'	75'	25'	4'	Black	2.70
2"	F6N2.00	150'	50'	25'	4'	Black	3.60

See Page 13 for box descriptions.

Color Available: Black
 Approved: ABYC, FAR-25, FMVSS-302, UL 94 V-0, RoHS Compliant, CSA, UL, Halogen Free and Techflex Spec.

F6's unique split, semi-rigid braided construction makes it the ideal solution for situations where ease of installation is of primary importance. The lateral split allows the tube to open up to accommodate a wide variety of bundling requirements, and simply closes around the entire installation without the need for any additional fasteners (velcro, tape, etc.)

The 10 mil PET braid is lightweight, quiet and flexible. The 25% edge overlap (at nominal diameter) allows coverage around inline plugs, connectors and splices.



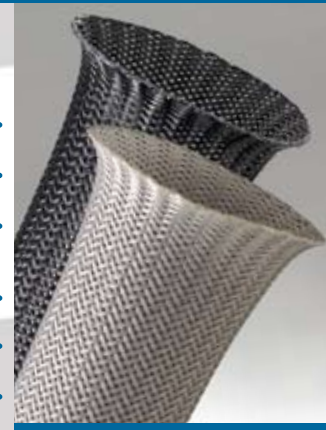
The large overlap allows easy installation over splices and inline connectors without exposing wires and cables.

F6 TOOL

The F6 Installation Tool makes installing long length applications quick and easy.

- 1/4" INNO.250R
- 1/2" INNO.500R
- 3/4" INNO.750R
- 1" INN1.000R
- 1 1/2" INN1.500R

F6 Tool



- Wire/Panel Harnesses ◀◀◀
- Engine Compartment Wiring ◀◀◀
- Climate Control and Heater Hoses/Tubing ◀◀◀
- Cable Assemblies ◀◀◀
- Battery Cables ◀◀◀
- Sensor Assemblies ◀◀◀

NOMINAL SIZE	EXPANSION RANGE		PART #	Put-Ups				AVAILABLE COLORS	LBS/ 100'	
	Min.	Max.		BULK SPOOL	SHOP SPOOL	RETAIL SPOOL	CLAM			BAG
1/8"	1/8"	1/4"	CCP0.13	1,000'	100'	50'	25'	10'	2	0.40
1/4"	5/32"	7/16"	CCP0.25	1,000'	100'	50'	25'	10'	2	0.46
3/8"	3/16"	5/8"	CCP0.38	500'	100'	50'	25'	10'	2	0.74
1/2"	1/4"	3/4"	CCP0.50	500'	100'	50'	25'	10'	2	0.82
3/4"	5/8"	1"	CCP0.75	250'	75'	40'	25'	10'	2	1.11
1"	3/4"	1 3/16"	CCP1.00	250'	50'	25'	n/a	10'	2	1.24
1 1/4"	1"	1 1/2"	CCP1.25	250'	50'	25'	n/a	10'	2	1.56
1 1/2"	1 1/4"	2"	CCP1.50	250'	50'	25'	n/a	10'	2	1.85

Spools fit into Display (see page 30)

Color Available: Black, Gray
 Approved: ABYC, UL 94 V-0, FMVSS-302, RoHS Compliant, CSA, UL, Halogen Free and Techflex Spec.

By adjusting the physical characteristics of the polyethylene terephthalate filaments, the engineers at Techflex have produced a product with the same specifications of our PT with the unique advantage of being able to cut the material with ordinary scissors and still maintain an extraordinarily fray-resistant end.

Flexo Clean Cut is ideal for field installers and other situations where access to a hot knife is impossible. Cuts easily and neatly with regular scissors and maintains a fray-resistant end during installation. When scissor cut, the end of Clean Cut will withstand heavier handling without fraying than standard PT.

SERRATED EDGE SCISSORS

Serrated Edge Scissors

Serrated, angled shears are ideal for cutting Clean Cut, Flexo Stainless and other sleeving types. Comfortable, high impact grips and stainless steel blades ensure years of use.

SHR0.005V



- Cut and Abrasion Resistant
- Cuts Cleanly with Scissors
- Increased Braid Density for Fuller Coverage



HARNESSING



- Wire/Panel Harnesses
- Audio Cabling
- Engine Compartment Wiring
- Hoses/Tubing
- Sensor Wiring
- Battery Cables



Cut and Abrasion Resistant

Resists Gasoline, Engine Chemicals and Cleaning Solvents

Expands up to 150%

Put-Ups

NOMINAL SIZE	EXPANSION RANGE		PART #	Put-Ups						AVAILABLE COLORS	LBS/ 100'
	Min.	Max.		BULK SPOOL	SHOP SPOOL	RETAIL SPOOL	CLAM	BAG			
1/8"	3/32"	1/4"	PTN0.13	1,000'	225'	110'	25'	10'	23	0.16	
1/4"	1/8"	7/16"	PTN0.25	1,000'	200'	100'	25'	10'	23	0.24	
3/8"	3/16"	5/8"	PTN0.38	500'	125'	60'	25'	10'	23	0.57	
1/2"	1/4"	3/4"	PTN0.50	500'	100'	50'	25'	10'	23	0.77	
5/8"	3/8"	1"	PTN0.63	500'	100'	50'	25'	10'	23	0.95	
3/4"	1/2"	1 1/4"	PTN0.75	250'	75'	35'	25'	10'	23	1.20	
1"	5/8"	1 5/8"	PTN1.00	250'	65'	30'	n/a	10'	23	1.34	
1 1/4"	3/4"	1 3/4"	PTN1.25	250'	50'	25'	n/a	10'	23	1.60	
1 1/2"	1"	2 1/2"	PTN1.50	200'	40'	20'	n/a	10'	23	1.96	
1 3/4"	1 1/4"	2 3/4"	PTN1.75	200'	30'	15'	n/a	10'	23	2.70	
2"	1 1/2"	3 1/2"	PTN2.00	200'	50'	14'	n/a	10'	23	3.30	
2 1/2"	1 3/4"	4 1/2"	PTN2.50	200'	50'	11'	n/a	10'	23	3.80	
3"	2 1/2"	4 3/4"	PTN3.00	100'	50'	10'	n/a	10'	23	4.00	

Colors Available: RD Red, OR Orange, YL Yellow, GN Green, BL Blue, PP Purple, CL Clear, BK Black, WH White, BE Beige, GY Gray, CB Carbon, NR Neon Red, NP Neon Pink, NY Neon Yellow, NG Neon Green, NB Neon Blue, SM Light Gray, JS Jester, PT Patriot, SH Super Hero, NX Nitrox and OG Ogr.

Approved: ABYC, FAR-25, FMVSS-302, UL 94 V-0, RoHS Compliant, CSA, UL, Halogen Free and Techflex Spec.

The Flexo® Original PET is braided from 10 mil polyethylene terephthalate monofilament yarns. The material has a wide operating temperature range, is resistant to chemical degradation, UV radiation and abrasion. Used in electronics, automotive, marine and industrial wire harnessing applications where cost efficiency and durability are critical.

The unique braided construction and wide expandability allows quick and easy installation over large connectors and long runs.



CWN0.00

••• TAKE A LOOK in the stylizing section, page 7, Flexo® Original PET comes in the widest range of standard available solid and spiral colors in the industry.

HARNESSING



NY Neon Yellow
FLEXPET Original PET

BK Black
FLEXPET Original PET

NG Neon Green
FLEXPET Original PET

BENCH MOUNT HOT KNIFE

Heavy duty components and heavy gauge 2 1/2" blade make this tool ideal for use in production environments. Lighted power switch. Heats to 1,100°F in 30 seconds. 110 volt operation.



Bench Mount Hot Knife
HKB0.00WH
Replacement Knife Blade
RBB0.00SV

TRAILER HITCH HARNESS KIT

ULN0.00BK
Minimum order one case -12 kits per case.
Each Kit contains:
Overexpanded Sleeving: One 4' pc. of 1/2" sleeving
3/1 Shrinkflex: One pc. Heatshrink Tubing
Available in black.
Easy to Install
(The special overexpanded PET sleeving is available in bulk spools. Ask your Techflex Account Representative for details.)



Flexo® Original PET CL Clear over Black Hose

STYLIZING

- Techflex offers Flexo® Original PET in 23 available colors
- All sizes available in each color (see page 5 for all sizes)



• Colors are UV reactive and will glow under UV light

STYLIZING



FLEXPET Kits

Packaged in attractively branded display units that highlight the product color, these kits contain enough material to dress up any automobile engine compartment or motorcycle engine.

Use the flexible, expandable sleeving on wires and hoses for the finishing touch on any renovation, restoration or customization project.

The packages also include color matched Shrinkflex heatshrink tubing and Nylon cable ties for a complete custom installation.



V8/TRUCK MUSCLE CAR KIT

UBN0.00

Minimum order one case- 4 kits per case.

Each kit contains:

Sleeving: 20'-1/4", 8'-3/8", 6'-1/2", 10'-3/4", 4'-1 1/2", 3'-1 3/4"

3/1 Shrinkflex: 1'- 3/8", 1'- 3/4", 1'- 1"

Nylon Cable Ties: 14 - 4", 10 - 8"
Single color per case.



SPORT PERFORMANCE KIT

UFN0.00

Minimum order one case- 4 kits per case.

Each kit contains:

Sleeving: 10'-1/4", 8'-3/8", 6'-1/2", 10'-3/4", 4'-1 1/2"

3/1 Shrinkflex: 1'- 3/8", 1'- 3/4", 1'- 1"

Nylon Cable Ties: 14 - 4", 10 - 8"
Single color per case.



12 VOLT WIRING/ MOTORCYCLE KIT

UHN0.00

Minimum order one case- 4 kits per case.

Each kit contains:

Sleeving: 8'- 1/4", 20'- 3/8", 6'- 1/2"

3/1 Shrinkflex: 1'- 3/4"

Nylon Cable Ties: 12 - 4"
Single color per case.

STYLIZING



- Wire/Panel Harnesses
- Audio/Video Cabling
- Engine Compartment Wiring
- Hoses/Tubing
- Sensor Wiring
- Battery Cables



3/1 HEATSHRINK TUBING KIT

Deluxe Assortment - UPN0.00
 Each kit contains:
 2' each of 3/8", 3/4", 1", 1 1/2"

Standard Assortment - UON0.00
 Each kit contains:
 2' each of 3/8", 3/4", 1"

Single color per case.
 Minimum order one case -4-Kits Per Case

MILWAUKEE HIGH QUALITY HEAT GUNS & ACCESSORIES

Production quality heat guns from one of the finest names in tools. These high quality guns will provide years of dependable service under the most intense conditions. High strength, impact resistant cases with heavy duty motors and heating elements.

Dual Temp HGD8975-6
Variable Temp LED Display HGL8988-20
Accessory Kit HGA49-80-0300



Versatile and Economical Termination Solution

Wide Selection of Sizes and Colors

Resists Common Automotive Chemicals

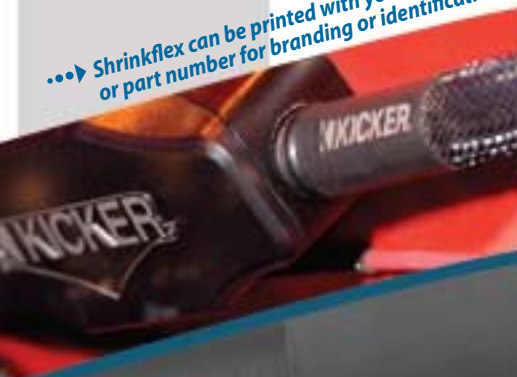
Easily Installs over Connectors and Splices

Custom Lengths Available

Shrinkflex heatshrink tubing is the ideal way to create a tight, professional finish on any wire, hose or cable management project. Once shrunk, the tubing will hold its reduced state even in elevated temperatures. The wide range of available colors and diameters make Shrinkflex a perfect solution for any termination application.

Shrinkflex heatshrink tubing is a versatile and economical termination solution that resists common automotive chemicals and installs easily over connectors and splices. Shrink temperature 194°F.

••• Shrinkflex can be printed with your logo or part number for branding or identification.



STYLIZING



2/1

3/1

4/1

NOMINAL SIZE	UNSHRUNK DIAMETER	SHRUNK DIAMETER	POST SHRINK WALL THICKNESS	PART #	Put-Ups					AVAILABLE COLORS
					BULK SPOOL	SHOP SPOOL	RETAIL SPOOL	CLAM	BAG	
3/64"	1.2mm	0.584mm	0.406mm	H2N0.05	500'	250'	100'	25'	10'	Black
1/8"	3.2mm	1.574mm	0.508mm	H2N0.13	500'	250'	100'	25'	10'	11
1/4"	6.4mm	3.175mm	0.635mm	H2N0.25	250'	200'	100'	25'	10'	11
3/8"	9.5mm	4.749mm	0.635mm	H2N0.38	200'	100'	50'	25'	10'	11
1/2"	12.7mm	6.350mm	0.635mm	H2N0.50	200'	100'	50'	25'	10'	11
5/8"	15.9mm	7.937mm	0.762mm	H2N0.63	200'	100'	50'	25'	10'	BK,CL
3/4"	19.1mm	9.525mm	0.762mm	H2N0.75	100'	50'	25'	25'	10'	11
1"	25.4mm	12.700mm	0.889mm	H2N1.00	100'	50'	25'	25'	10'	11
1 1/2"	38.1mm	19.050mm	1.016mm	H2N1.50	100'	25'	12'	n/a	10'	11
2"	50.8mm	25.400mm	1.143mm	H2N2.00	100'	25'	12'	n/a	10'	11
3"	76.2mm	38.100mm	1.270mm	H2N3.00	100'	20'	n/a	n/a	10'	5
1/16"	1.5mm	0.508mm	0.508mm	H3N0.06	500'	250'	100'	25'	10'	Black
1/8"	3.0mm	1.016mm	0.609mm	H3N0.13	500'	250'	100'	25'	10'	11
1/4"	6.0mm	2.032mm	0.711mm	H3N0.25	250'	200'	100'	25'	10'	11
3/8"	9.0mm	3.048mm	0.787mm	H3N0.38	200'	100'	50'	25'	10'	11
1/2"	12.0mm	4.064mm	0.838mm	H3N0.50	200'	100'	50'	25'	10'	11
3/4"	18.0mm	6.096mm	0.990mm	H3N0.75	200'	50'	25'	25'	10'	11
1"	24.0mm	8.001mm	1.219mm	H3N1.00	100'	50'	25'	25'	10'	11
1 1/2"	40.0mm	13.081mm	1.270mm	H3N1.50	100'	25'	12'	n/a	10'	11
2"	50.0mm	17.018mm	1.498mm	H3N2.00	100'	25'	12'	n/a	10'	10
3"	75.0mm	25.400mm	1.651mm	H3N3.00	100'	20'	n/a	n/a	10'	Black
3/4"	18.0mm	4.5mm	0.889mm	H4N0.75	200'	50'	25'	25'	10'	Black
1 1/4"	30.0mm	7.5mm	0.889mm	H4N1.25	200'	25'	12'	n/a	10'	Black
1 1/2"	38.1mm	9.5mm	1.016mm	H4N1.50	200'	25'	12'	n/a	10'	Black

Spools fit into Display (see page 30)

Adhesive Wall Shrinkflex

Dual wall adhesive lined heatshrink tubing is ideal for producing strong, weathertight seals on any heatshrink installation. During the application of heat from a heat gun or other heat source, the inner adhesive wall melts and flows, creating an adhesion layer to ensure a snug fit to your harness or connector. Adhesive lined heatshrink has a 3:1 shrink ratio, and is available in 4' strips or 6" cuts, in diameters up to 1".

Approved: ABYC, UL 94 V-0, RoHS Compliant, CSA, UL, Halogen Free, Mil Spec/5, VW-1 and Techflex Spec.

NOMINAL SIZE	PART #	Put-Ups				AVAILABLE COLORS	LBS/100 pc.
		BULK BOX	MINI BOX	RETAIL BOX	CLAM		
3/8"	H3A0.38	250	25	10	25	BK,WH,CL	10
1/2"	H3A0.50	200	25	10	25	BK,WH,CL	15
3/4"	H3A0.75	80	25	10	25	BK,WH,CL	20
1"	H3A1.00	50	25	10	25	BK,WH,CL	25





- Wire/Panel Harnesses
- Audio/Video Cabling
- Engine Compartment Wiring
- Hoses/Tubing
- Battery Cabling
- Fuel/Brake Lines
- Nitrous Lines

Resists Gasoline and Engine Chemicals

Economical and Easy to Install

Cuts Cleanly with Hot Knife

Colors Available: Silver
Approved: RoHS Compliant, Halogen Free and Techflex Spec.

Flexo Chrome XC heavy duty expandable metallized mylar sleeve is ideal for dressing up any application with the look of braided stainless steel.

Chrome XC provides fuller coverage with no transparent elements in the braided construction and results in a smooth, continuous metallic shine on any application.

Made with full slit heavy duty Mylar, Chrome XC will provide years of attractive hose or wire covering.

Put-Ups

NOMINAL SIZE	EXPANSION RANGE		PART #	BULK SPOOL	SHOP SPOOL	RETAIL SPOOL	CLAM	BAG	AVAILABLE COLORS	LBS/100'
	Min.	Max.								
1/4"	1/4"	5/16"	CXN0.25	500'	125'	60'	25'	10'	Silver (SV)	0.25
5/16"	5/16"	1/2"	CXN0.31	250'	100'	50'	25'	10'	Silver (SV)	0.36
1/2"	1/2"	3/4"	CXN0.50	250'	80'	40'	25'	10'	Silver (SV)	0.52
3/4"	3/4"	1 3/8"	CXN0.75	200'	40'	20'	n/a	10'	Silver (SV)	0.83
1 1/4"	1 1/4"	2"	CXN1.25	100'	30'	15'	n/a	10'	Silver (SV)	1.25
1 1/2"	1 1/2"	3"	CXN1.50	100'	25'	12'	n/a	10'	Silver (SV)	1.50

Spools fit into Display (see page 30)

V8/TRUCK MUSCLE CAR KIT

UCN0.00
Minimum order one case- 4 kits per case.

Each kit contains:
Sleeving: 20'- 1/4", 8'- 5/16", 6'- 1/2", 10'- 3/4", 4'- 1 1/4", 3'- 1 1/2"

3/1 Shrinkflex: 1'- 3/8", 1'- 3/4", 1'- 1"

Nylon Cable Ties: 14 - 4", 10 - 8"

12 VOLT WIRING/ MOTORCYCLE KIT

UJN0.00
Minimum order one case- 4 kits per case.

Each kit contains:
Sleeving: 8'- 1/4", 20'- 5/16", 6'- 1/2"

3/1 Shrinkflex: 1'- 3/4", 1'- 1"

Nylon Cable Ties: 12- 4"

SPORT PERFORMANCE KIT

UGN0.00
Minimum order one case- 4 kits per case.

Each kit contains:
Sleeving: 10'- 1/4", 8'- 5/16", 6'- 1/2", 10'- 3/4", 4'- 1 1/4"

3/1 Shrinkflex: 1'- 3/8", 1'- 3/4", 1'- 1"

Nylon Cable Ties: 14 - 4", 10 - 8"



- Wire/Panel Harnesses ◀•••
- Audio/Video Cabling ◀•••
- Engine Compartment Wiring ◀•••
- Hoses/Tubing ◀•••
- Battery Cabling ◀•••
- Fuel/Brake Lines ◀•••
- Nitrous Lines ◀•••

Resists Gasoline and Engine Chemicals

Economical and Easy to Install

Cuts Cleanly with Hot Knife

Put-Ups

NOMINAL SIZE	EXPANSION RANGE		PART #	BULK SPOOL	SHOP SPOOL	RETAIL SPOOL	CLAM	BAG	AVAILABLE COLORS	LBS/100'
	Min.	Max.								
1/4"	3/16"	1/2"	CHN0.25	500'	125'	60'	25'	10'	Silver (SV)	0.33
3/8"	1/4"	5/8"	CHN0.38	250'	100'	50'	25'	10'	Silver (SV)	0.39
1/2"	3/8"	3/4"	CHN0.50	250'	80'	40'	25'	10'	Silver (SV)	0.47

Spools fit into Display (see page 30)

Colors Available: Silver
Approved: RoHS Compliant, Halogen Free and Techflex Spec.

The look of stainless steel braid with an upside! No installation hassles, surface abrasion and ridiculous expense. Just the look of polished braided steel. These heavy duty metallized mylar sleeves are ideal for dressing up any application.

Chrome has a more open look, transparent PET is braided together with metallic strands to create a slight glimmer when light strikes it and allows the color of the application to come through for a special effect. Resists gasoline, engine chemicals, and abrasion.

◀••• Clear Shrinkflex heat shrink tubing used on Chrome (see page 10 for Shrinkflex)

12 VOLT WIRING/ MOTORCYCLE KIT

UIN0.00
Minimum order one case- 4 kits per case.

Each kit contains:
Sleeving: 8'- 1/4", 20'- 3/8", 6'- 1/2"

3/1 Shrinkflex: 1'- 3/4", 1'- 1"

Nylon Cable Ties: 12- 4"



STYLIZING



- Wire/Panel Harnesses
- Audio/Video Cabling
- Engine Compartment Wiring
- Hoses/Tubing
- Sensor Wiring
- Fuel/Brake Lines
- Nitrous Lines



Noise Suppression Wrap for Harnesses and Cable in Cavities and Dashboard Installations

Retro Look for Audio Cables

Soft, Classic Cotton Loom Feel

Cut and Abrasion Resistant

Cuts Cleanly with Hot Knife



F6 comes in custom designed display/dispenser boxes. The boxes have die-cut handles for easy transportation and an eye-catching graphic design.

**Nostalgic Look and Feel!
Modern Day Performance!**

NOMINAL SIZE	PART #	Put-Ups				AVAILABLE COLORS	LBS/100'
		BULK BOX	BOX A	BOX B	BAG		
1/4"	F6Q0.25	2,000'	200'	100'	20'	Black	1.0
3/8"	F6Q0.38	1,000'	150'	75'	12'	Black	1.8
1/2"	F6Q0.50	800'	150'	75'	10'	Black	2.0
3/4"	F6Q0.75	500'	100'	50'	8'	Black	3.0

Color Available: Black
Approved: FMVSS-302, RoHS Compliant and Techflex Spec.

Flexo F6 Quiet is specially engineered to reduce the noise associated with wire harnesses or cables installed in hard to reach areas such as door panels or dashboards. The special construction suppresses noise from loose harnesses moving against body or dash panels. F6 Quiet also has a soft and flexible feel, reminiscent of old style cotton loom, making it the perfect product for restoration projects.

HANDHELD HOT KNIFE

Perfect for individual projects or small volume production. The large knife blade heats quickly and easily cuts and seals most grades of braided sleeving. Handle can also be used as a soldering gun with the appropriate tips. 110 volt operation.

Handheld Hot Knife
HKH0.00BK

Replacement Knife Blade
RBH0.00SV



TERMINATIONS

STYLIZING

- Wire/Panel Harnesses ◀•••
- Engine Compartment Wiring ◀•••
- Audio/Video Cabling ◀•••
- Hoses/Tubing ◀•••
- Sensor Wiring ◀•••



HIGH STRENGTH NYLON CABLE TIES

Easy to use nylon cable ties are perfect for virtually any bundling or management application. Economical, yet strong ties resist heat and abrasion.

Available in a wide range of colors.

SMALL- CBR3.75

LARGE- CBR7.50



VELCRO™ BRAND STRAPS

Reusable and flexible One-Wrap brand straps are perfect for temporary management of cords, cables and wires. Can be reused hundreds of times.

Available in a wide range of colors.

SMALL- VST8.00

LARGE- VST12.00



VELCRO™ KIT

UMNO.00

Minimum order one case
one case- 6 kits per case.

Each kit contains:

Velcro™ Straps: 6 - 8", 4 - 12"

Available Colors: Black (BK), White (WH), Red (RD), Orange (OR), Yellow (YL), Green (GN), Blue (BL), Purple (PP), Beige (BE) and Gray (GY).

Single color per case.

CABLE TIES KIT

UMNO.00

Minimum order one case
9 kits per case.

Each kit contains:

48 Nylon Cable Ties
24 - 3.5", 24 - 7"

Single color per case.



NG NR NP GY BN CL PP BL GN NY OR RD WH BK



THERMAL



- Engine/Wire Harnesses
- Control Cables
- Sensor Wires
- Fuel Lines
- Brake Lines



Put-Ups (4' pcs.)

NOMINAL SIZE	PART #	BULK BOX	BOX 8x8	BOX 6x6	BOX 4x4	AVAILABLE COLORS	LBS/ 100 pc.
1/4"	T6F0.25	250	140	100	50	Silver	10
3/8"	T6F0.38	250	90	50	30	Silver	15
1/2"	T6F0.50	250	70	40	25	Silver	20
5/8"	T6F0.63	150	60	35	20	Silver	25
3/4"	T6F0.75	125	50	30	15	Silver	30
1"	T6F1.00	88	30	20	9	Silver	35
1 1/4"	T6F1.25	63	20	10	6	Silver	45
1 1/2"	T6F1.50	40	15	8	4	Silver	50
2"	T6F2.00	24	8	4	2	Silver	60

Color Available: Silver SV

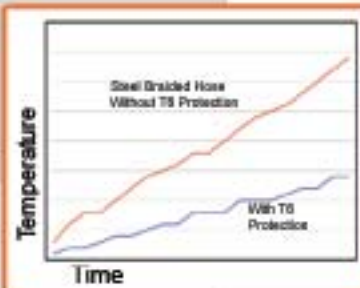
Approved: RoHS Compliant, Halogen Free and FAR-25.

The newest item in the ThermaShield line of aluminized fiberglass products, T6 is designed for ease of installation when component disassembly isn't practical. Just wrap the pre-formed, split flexible tube around any component and seal the sides with the high temperature adhesive strip to provide protection from hot pipes and engine components.

The highly reflective aluminized exterior, combined with the insulating fiberglass interior, protects delicate wire bundles, cables and lines from damage caused by nearby exhaust pipes, headers or other heat generating components.

T6 can reduce the heat transmission from hot pipes or engine components into hoses or harnesses by up to 50% or more.

T6 is shipped in pre-cut 4' lengths



Heat Reflective Aluminium Laminated Fiberglass

Wrap and Seal Overlap with High Temperature Adhesive Strip

Reflects Radiant Heat

Resists Gasoline and Engine Chemicals

Cut and Abrasion Resistant

Cuts Cleanly with Scissors

THERMAL



Fuel Lines ◀•••

High Volt/AMP Cables ◀•••

Air Conditioning Hoses ◀•••

Oil Lines ◀•••

Heater Hoses ◀•••



Stable to 500°F

Non-Permeable Heavy Silicone Coating is Flexible Enough To Follow Tight Radius Curves

Contains Radiant Heat to Prevent Damage to Nearby Components

Resists Gasoline and Engine Chemicals

Moisture Resistant

Cut and Abrasion Resistant

Cuts Cleanly with Scissors

Put-Ups

NOMINAL SIZE	PART #	BULK SPOOL	SHOP SPOOL	RETAIL SPOOL	CLAM	BAG	AVAILABLE COLORS	LBS/ 100'
5/16"	FIN0.31	100'	50'	25'	4'	10'	2	5.40
3/8"	FIN0.38	100'	50'	25'	4'	10'	2	6.30
1/2"	FIN0.50	100'	50'	25'	4'	10'	2	7.40
5/8"	FIN0.63	100'	50'	20'	4'	10'	2	8.80
3/4"	FIN0.75	50'	25'	15'	4'	10'	2	9.80
7/8"	FIN0.88	50'	25'	12'	4'	10'	2	10.10
1"	FIN1.00	50'	25'	12'	4'	10'	2	13.50
1 1/2"	FIN1.50	50'	25'	10'	3'	10'	2	14.70
2"	FIN2.00	50'	25'	10'	3'	10'	2	20.50
2 3/8"	FIN2.38	50'	25'	10'	3'	10'	2	26.90
2 1/2"	FIN2.50	50'	25'	10'	3'	10'	2	29.70
2 7/8"	FIN2.88	50'	25'	10'	3'	10'	2	32.00

Spools fit into Display (see page 30)

Color Available:

Black (BK) and Red (RD).

Approved: RoHS Compliant, Halogen Free and Techflex Spec.

FireFlex silicone jacketed fiberglass sleeving is the choice of professionals in racing and other industries where protection from constant temperatures approaching 500°F is mandatory. Engineered to contain radiant exhaust and coolant heat within pipes and hoses and to protect expensive performance equipment and operators from thermal damage.

FireFlex is completely non-conductive, will not melt, delaminate, become brittle or support combustion under normal conditions, and provides a professional level solution to thermal protection needs in any application.

FIREFLEX FIBERGLASS SILICONE SLEEVING KIT

Minimum order one case. 4-Kits Per Case. Single color per case.

Each package contains 4' of sleeving

- 3/8" UDNO.38
- 1/2" UDNO.50
- 5/8" UDNO.63
- 3/4" UDNO.75
- 7/8" UDNO.88





THERMA SHIELD
TUBE

- Climate Control Lines
- Engine/Cable Assemblies
- Control Cables
- Sensor Wires
- Radiant Heat Protection
- Fireproof/Oil Resistant

Economical and Easy to Install

Cuts Cleanly with Scissors

Reflects Radiant Heat

Insulates Delicate Wires and Components

Resists Gasoline and Engine Chemicals

NOMINAL SIZE	WALL THICKNESS	PART #	Put-Ups				AVAILABLE COLORS	LBS/ 100'	
			BULK SPOOL	SHOP SPOOL	RETAIL SPOOL	BAG			
1/2"	.009	TTN0.50	250'	100'	50'	25'	10'	Silver	2.55
5/8"	.009	TTN0.63	250'	100'	50'	25'	10'	Silver	3.00
3/4"	.009	TTN0.75	250'	100'	50'	25'	10'	Silver	3.45
7/8"	.009	TTN0.88	200'	100'	50'	25'	10'	Silver	4.10
1"	.009	TTN1.00	200'	100'	50'	25'	10'	Silver	4.50
1 1/4"	.013	TTN1.25	200'	100'	50'	25'	10'	Silver	5.40
1 1/2"	.013	TTN1.50	200'	100'	50'	25'	10'	Silver	6.20
1 3/4"	.013	TTN1.75	100'	50'	25'	25'	10'	Silver	7.40
2"	.013	TTN2.00	100'	50'	25'	15'	5'	Silver	8.70
2 1/2"	.013	TTN2.50	100'	50'	25'	15'	5'	Silver	10.1

Color Available: Silver

Approved: RoHS Compliant, Halogen Free and Techflex Spec.

THERMASHIELD creates a buffer between your wires, hoses and cables and high temperature environments. Engineered by laminating an aluminum heat shield to a layer of strong fiberglass insulation. This system provides superior protection from radiant heat by reflecting it away from sensitive electronics, wiring and hoses.

THERMASHIELD TUBE is designed to easily slip over wire or hoses. The seamless construction provides full coverage and protection. The flexible sleeving cuts with scissors. Resists gasoline and engine chemicals.

THERMASHIELD LAMINATED FIBERGLASS SLEEVING KIT

- 4-Kits Per Case. Single color per case. Each package contains 4' of sleeving
- 1/2" UAN0.50SV 1 1/4" UAN1.25SV
 - 5/8" UAN0.63SV 1 1/2" UAN1.50SV
 - 3/4" UAN0.75SV 1" UAN1.00SV



 Spools fit into Display (see page 30)



THERMA SHIELD
FLAT

- Self Adhesive ◀•••
- Heat Protection
- Engine Components ◀•••
- Fuel Tanks ◀•••
- Firewalls ◀•••
- Fireproof/Oil Resistant ◀•••

Economical and Easy to Install

Cuts Cleanly with Scissors

Reflects Radiant Heat

Insulates Delicate Wires and Components

Resists Gasoline and Engine Chemicals

Cut and Abrasion Resistant

NOMINAL SIZE	WALL THICKNESS	PART #	Put-Ups				AVAILABLE COLORS	LBS/ 100'	
			BULK SPOOL	SHOP SPOOL	RETAIL SPOOL	BAG			
1"	.013	TSN1.00	200'	100'	50'	25'	10'	Silver	1.60
1 1/2"	.013	TSN1.50	200'	100'	50'	25'	10'	Silver	2.25
2"	.013	TSN2.00	200'	100'	50'	25'	10'	Silver	2.75
3"	.013	TSN3.00	200'	100'	50'	25'	10'	Silver	4.30
4"	.013	TSN4.00	200'	100'	50'	25'	10'	Silver	5.60
5"	.013	TSN5.00	200'	100'	50'	25'	10'	Silver	7.60

Color Available: Silver

Approved: RoHS Compliant, Halogen Free and Techflex Spec.

 Spools fit into Display (see page 30)

THERMASHIELD FLAT is an aluminum laminated fiberglass sheet with a full coating of permanent, high temperature adhesive. This unique product applies directly to any clean surface. Ideal solution for protecting delicate electronic component boxes mounted close to engines or other heat sources. When applied, the aluminum laminate reflects heat away and the insulating fiberglass backing protects the fragile contents from thermal damage and failure.

ALUMINUM HEAT REFLECTING TAPE

A 3 mil high strength self wound dead soft aluminum foil coated with an aggressive acrylic adhesive system to create a superior bond.

- 1 1/2" TTT1.50SV
- 2" TTT2.00SV

Great for terminating intersection points and breakouts.





- Exhaust Wrap
- Insulates for Increased Horsepower
- Reduces Underhood Temperatures
- Withstands Heat up to 2,000°F

HEADER WRAP
 Custom Configurations
 Thicknesses Available:
 1/16", 1/8"
 Widths Available: 1/2" – 6"

HEADER WRAP SI
 Custom Configurations
 Thicknesses Available:
 1" – 4"
 Widths Available: 1/16" or 1/8"

Contact us for custom product options.

Put-Ups

WALL THICKNESS	WIDTHS	PART #	BULK SPOOL	SHOP SPOOL	RETAIL SPOOL	PACK	AVAILABLE COLORS	LBS/100'
1/16"	1"	HFN1.00	100'	50'	25'	15'	Natural, Black	1.75
1/16"	2"	HFN2.00	100'	50'	25'	15'	Natural, Black	3.00
1/8"	1"	HFH1.00	100'	50'	25'	15'	Natural, Black	2.75
1/8"	2"	HFH2.00	100'	50'	25'	15'	Natural, Black	3.05
1/16"	2"	HSN1.00	100'	50'	25'	15'	Natural	1.50
1/16"	2"	HSN2.00	100'	50'	25'	15'	Natural	3.05
1/8"	1"	HSH1.00	100'	50'	25'	15'	Natural	2.90
1/8"	2"	HSH2.00	100'	50'	25'	15'	Natural	8.70

Color Available: Natural and Black.

Approved: RoHS Compliant, Halogen Free and Techflex Spec.

Extremely high temperature resistant. Commonly used for headers and exhaust.

HEADER WRAP INSULTHERM™ reduces under-hood temperatures up to 70% and increases horsepower and fuel efficiency. Manufactured from texturized fiberglass yarns and woven into a strong and flexible wrap with vermiculite coating. Withstands heat up to 1,000°F.

HEADER WRAP SI is made from texturized amorphous silica filament yarn woven into a strong and flexible form. Because the yarn is texturized into a bulky form it provides excellent insulating values. Header Wrap SI is not made from leached fiberglass, resulting in a much more wear resistant finished product. Withstands heat up to 2,000°F.

HEADER WRAP

4 Kits Per Case.
 Minimum order one case.
 Each package contains: 15'
 Available Colors:
 Natural and black.
 Single color per case.



Silica Header Wrap •••



High Temperature Resistant

Easy to Install

Resists Gasoline and Engine Chemicals

Cut and Abrasion Resistant



Wire Harnesses •••

Control Cables •••

Hoses •••

Under Hood Conduit •••

Fuel Lines •••



"...will withstand extreme heat... provides the protection needed"

Peter Mercier-Engineer Team Bucknum Racing
 www.bucknum.com

Put-Ups

NOMINAL SIZE	PART #	BULK SPOOL	SHOP SPOOL	RETAIL SPOOL	CLAM	AVAILABLE COLORS	LBS/100'
1/4"	FGN0.25	200'	50'	50'	6'	2	2.00
3/8"	FGN0.38	200'	50'	35'	6'	2	3.30
1/2"	FGN0.50	200'	50'	25'	6'	2	4.80
5/8"	FGN0.63	200'	50'	20'	6'	2	5.30
3/4"	FGN0.75	200'	50'	15'	6'	2	6.40
7/8"	FGN0.88	200'	50'	12'	6'	2	8.70
1"	FGN1.00	100'	25'	12'	6'	2	10.5
1 1/2"	FGN1.50	100'	25'	10'	6'	2	16.0

Spools fit into Display (see page 30)

Color Available: 2 Stock= BK Black and SV Silver.

Approved: RoHS Compliant, Halogen Free and Techflex Spec.

INSULTHERM (FG) is an extremely high temperature resistant sleeve commonly used as thermal protection for wires, cables and hoses that are subjected to continuous and extreme high temperature environments, such as engine manifolds and exhaust systems.

FG is braided from fiberglass yarns and coated with high temperature resins. FG is tough and durable, maintaining its tight structure under extreme vibration, abrasion, mechanical stress and temperature variations. Installs easily over a variety of applications to either deflect or retain heat in environments up to 1,200°F.

INSULTHERM KIT

4-Kits Per Case
 Minimum order one case.
 Each package contains:
 6' of sleeving
 1/4"
 3/8" 1/2" 5/8" 3/4" 7/8" 1" Single color per case.



Economical and Easy to Install

Resists Gasoline and Engine Chemicals

Extremely Durable Resin Coated Fiberglass

Cut and Abrasion Resistant

HEAVY DUTY



- Single/Multiple Hydraulic Lines
- Wire/Cable Harnesses
- Hoses/Fuel Lines
- Chains and Springs

Resists Snagging

Prevents Damage from UV, Gasoline, Engine Chemicals and Salt

Resists Cut, Abrasion and Penetration

Flexible and Economical General Purpose Protection

Deflects High Pressure Hose Ruptures

No Damage After 100,000 Abrasion Cycles

Color Available: Black
Approved: RoHS Compliant and Techflex Spec.

The tightly woven Nylon® makes Dura Flex the perfect solution for hose and cable protection. The .09 inch wall thickness will protect cables, hoses and ropes from weather, sunlight and abrasion damage.

When installed over uncoated cable or chains, DF will prevent scraping, chafing and contact damage to painted or other fragile surfaces.

DF is resistant to chemicals, UV damage and rot, and is suitable for continuous outdoor use under all weather conditions. The flexible sleeving cuts with scissors and the tight construction slides easily over any application.

NOMINAL SIZE	PART #	Put-Ups			AVAILABLE COLORS	LBS/ 100'
		BULK SPOOL	SHOP SPOOL	RETAIL SPOOL		
0.71"	DFN0.71	100'	50'	25'	Black	2.57
0.83"	DFN0.83	100'	50'	25'	Black	2.58
1.00"	DFN1.00	100'	50'	25'	Black	3.66
1.13"	DFN1.13	100'	50'	25'	Black	4.18
1.25"	DFN1.25	100'	50'	25'	Black	4.49
1.34"	DFN1.34	100'	50'	25'	Black	4.84
1.59"	DFN1.59	100'	50'	25'	Black	5.37
1.75"	DFN1.75	100'	50'	25'	Black	6.13
2.07"	DFN2.07	100'	50'	25'	Black	7.26
2.38"	DFN2.38	100'	50'	25'	Black	8.28
2.54"	DFN2.54	100'	50'	25'	Black	8.98
2.86"	DFN2.86	100'	50'	25'	Black	9.89
3.34"	DFN3.34	50'	25'	25'	Black	11.59
3.66"	DFN3.66	50'	25'	25'	Black	12.25

WRAP 'n SEAL TAPE

High strength tape works on dirty or wet surfaces. Ideal for automotive and marine hoses. Self-sealing and waterproof.

WNS1.00



HEAVY DUTY



- Single/Multiple Hydraulic Lines
- Wire/Cable Harnesses
- Hoses/Fuel Lines
- Chains and Springs

Tightly Woven Ballistic Nylon Construction

Heavy Duty, Oversize Hook & Loop Closure

Resists and Prevents Damage from UV, Abrasion, Gasoline, Engine Chemicals and Salt Water

Deflects High Pressure Hose Ruptures

Repels Liquids

NOMINAL SIZE	PART #	Put-Ups			AVAILABLE COLORS	LBS/ 100'
		BULK SPOOL	SHOP SPOOL	RETAIL SPOOL		
1"	DWN1.00	100'	25'	15'	Black	0.82
1 1/2"	DWN1.50	100'	25'	15'	Black	1.10
2"	DWN2.00	75'	25'	15'	Black	1.60
2 1/2"	DWN2.50	75'	25'	15'	Black	2.50
3"	DWN3.00	50'	25'	15'	Black	3.40
3 1/2"	DWN3.50	50'	25'	15'	Black	4.20
4"	DWN4.00	50'	25'	15'	Black	6.50
4 1/2"	DWN4.50	50'	25'	15'	Black	8.30

Color Available: Black
Approved: RoHS Compliant and Techflex Spec.

DURA WRAP (DW) is the answer to organizing and controlling wires, cables and hoses that are subjected to constant and extreme use. The flexible sleeve is made from tightly woven ballistic Nylon® with an aggressive, industrial strength hook and loop closure. DURA WRAP is used on wires to keep them together, on hoses and cables to prevent abrasion damage or on chains to keep them from ruining expensive finished surfaces.

DW provides greater abrasion resistance and water repellency than other Nylon® sleeves and is being tested for certification under the U.S. Dept. of Labor's MSHA.

DW is extremely flexible and easy to install over single or multiple hoses. In the event of a hose rupture, the high strength sleeving helps prevent high pressure fluid from becoming a danger to equipment operators and other personnel.

Stainless Steel Cable Ties

High temperature stainless steel cable ties tighten easily without special tools. Perfect for installing heavy duty and high temp sleeving.

Large- SST8.00SS
Small- SST4.00SS



HEAVY DUTY



- Welding Hoses
- Molten Splatter Protection
- Robotic Welders



Ballistic Nylon with Urethane Coating

Easy To Install

Resists Damage from UV, Gasoline and Engine Chemicals

Extreme Cut and Abrasion Resistant

NOMINAL SIZE	PART #	Put-Ups				AVAILABLE COLORS	LBS/ 100'
		BULK SPOOL	SHOP SPOOL	RETAIL SPOOL	BAG		
1"	WWN1.00	150'	50'	25'	10'	Black	8.40
1 1/2"	WWN1.50	150'	50'	25'	10'	Black	11.0
2"	WWN2.00	150'	50'	25'	10'	Black	13.8
2 3/8"	WWN2.38	150'	50'	25'	10'	Black	14.8
2 3/4"	WWN2.75	150'	50'	25'	10'	Black	16.4
3"	WWN3.00	150'	75'	25'	10'	Black	18.4
3 1/4"	WWN3.25	150'	75'	25'	10'	Black	19.2
3 1/2"	WWN3.50	150'	75'	25'	10'	Black	20.4
4"	WWN4.00	150'	75'	25'	10'	Black	21.7

Color Available: Black

Approved: RoHS Compliant and Techflex Spec.

Specially engineered from 1050 ballistic nylon with a urethane coating, WeldWrap is ideal for protecting hoses and wiring from damage caused by molten welding splatter and sparks. The heavy duty hook and loop closure ensures a tight seal and allows WeldWrap to be installed easily over existing assemblies. WeldWrap also provides a high level of abrasion and penetration protection to increase the useful life of any hoses exposed to rough or abrasive surfaces.

ECONOMY KEVLAR® SHEARS

Specially designed stainless steel shears with deeply serrated edge easily cuts through tough aramid sleeving without dulling the blade or damaging the sleeving. Large, comfortable handle accommodates left or right hand use. 6" long. Handle color may vary.

SHR0228-AS



HEAVY DUTY



- Wire/Cable Harnesses
- Extra Durable Protection
- Hose Lines
- Prevents Hose Kinks



Innovative Braided Flat Filament Technology

Heavy Plastic Protection

Smooth Feel and Reduced Drag

Resists Damage from UV, Gasoline, Engine Chemicals, Salt Water and Abrasion

Extreme Cut and Abrasion Resistant

NOMINAL SIZE	EXPANSION RANGE		PART #	Put-Ups				AVAILABLE COLORS	LBS/ 100'
	Min.	Max.		BULK SPOOL	SHOP SPOOL	RETAIL SPOOL	BAG		
1/2"	3/8"	5/8"	NHN0.50	500'	100'	50'	10'	Black	1.40
3/4"	5/8"	1"	NHN0.75	250'	50'	25'	10'	Black	2.10
1"	3/4"	1 1/2"	NHN1.00	250'	50'	25'	10'	Black	2.20
1 1/4"	1"	1 3/4"	NHN1.25	250'	50'	25'	10'	Black	2.50
1 3/4"	1 1/4"	2 1/2"	NHN1.75	100'	25'	15'	10'	Black	4.00

Color Available: Black

Approved: RoHS Compliant and Techflex Spec.

Gorilla Sleeve utilizes flat filaments to achieve a thick abrasion guard for use on hoses. This type of sleeve has been tested against competitor's abrasion guards that mix materials in an effort to gain slight abrasion advantages.

Gorilla Sleeve achieves better results without sacrificing great looks or flexibility.

HEAVY DUTY HANDHELD HOT KNIFE

German engineered, heavy duty hand held hot knife. Long life trigger switch. Heats quickly to 1,100°F. Interchangeable blades. 110 or 220 volt models available.

Handheld Hot Knife 110 Volt- **GK10.00GN**

Handheld Hot Knife 220 Volt- **GK20.00GN**



IGNITION SYSTEM



- Spark Plug and Ignition Wire Protection
- Reduces Misfires
- Extends Plug Wire Life
- Double Construction Keeps Wire/Boots Cooler in High Temperature Engines
- Easy On Installation



- Protects to 1,200°F
- Economical, Long Lasting Protection
- Easy, Slip-on Installation
- Resists Gasoline and Engine Chemicals
- Cut and Abrasion Resistant

No Ring-Easy Install

NOMINAL SIZE	DIAM.	PART #	Put-Ups		
			BULK BOX	CLAM	AVAILABLE COLORS
5"	3/4"	FBN0.75	144	2,4,6,8	4
7 1/2"	3/4"	FCN0.75	144	2,4,6,8	4
12"	3/4"	FDN0.75	144	2,4,6,8	4

Color Available: Natural, Blue, Red and Black.
Approved: RoHS Compliant, Halogen Free and Techflex Spec.

The 5" length is a perfect fit on Corvette LS-1 engines.



••• with Ring

NOMINAL SIZE	WIDTHS	PART #	Put-Ups		
			BULK BOX	CLAM	AVAILABLE COLORS
7 1/2"	3/4"	FCU0.75	144	2,4,6,8	4

Color Available: Natural, Blue, Red and Black.
Approved: RoHS Compliant, Halogen Free and Techflex Spec.

Once installed, the sleeves require no clearance from hot surfaces, and can even rest directly on hot exhaust headers without any effect.



IGNITION SYSTEM



- Spark Plug and Ignition Wire Protection
- Double Wall Construction



For years, Techflex's Insultherm braided fiberglass sleeving has been the first choice among automotive professionals and enthusiasts alike for many of their thermal protection applications.

With the same high temperature protection in an easy slip on sleeve that will extend the life of expensive spark plug wires by protecting them where they need it most... at the boot. Just slip these 3/4" diameter double thickness (triple thick at the sewn end) sleeves over any spark plug cable and boot (even right angle boots) to protect them from engine temperatures in excess of 1,200°F.

Insultherm Spark Plug Boot Sleeves are completely non-conductive, resist all engine chemicals, will not support combustion, and provide an easy, economical solution to the challenge of wire protection in the cramped, high temperature environment of any high performance engine compartment.



INSULTHERM SPARK PLUG BOOT SLEEVES KITS

4-Kits Per Case.	5" - 2 pk	UVN5.00
Minimum order one case.	5" - 4 pk	USN5.00
Available in	5" - 6 pk	UTN5.00
2, 4, 6 & 8 packs.	5" - 8 pk	UUN5.00
Single color per case.	7 1/2" - 2 pk	UVN7.50
	7 1/2" - 4 pk	USN7.50
	7 1/2" - 6 pk	UTN7.50
	7 1/2" - 8 pk	UUN7.50



IGNITION SYSTEM

IGNITION SYSTEM

- Continuous Filament E-type Glass
- Protects to 1,200° F.
- Stays Flexible in Low Temps.



Insultherm Ultraflex fiberglass sleeving is ideal for the protection of wires and hoses exposed to the heat generated from high performance engine and exhaust components. The heat treated sleeving cuts with scissors and is compatible with most bonding and saturation systems. Ultraflex expands slightly, allowing it to slide easily over wires and follow curves and contours without binding.

Put-Ups

NOMINAL SIZE	EXPANSION RANGE Min.	Max.	PART #	BULK SPOOL	SHOP SPOOL	RETAIL SPOOL	CLAM	BAG	AVAILABLE COLORS	LBS/ 100'
1/4" (7mm)	1/4"	5/16"	FHN0.25	250'	100'	50'	25'	10'	Natural	.54
3/8" (9.5mm)	3/8"	1/2"	FHN0.38	250'	100'	50'	25'	10'	Natural	.77
1/2" (13mm)	1/2"	5/8"	FHN0.50	100'	50'	25'	15'	3'	Natural	1.2
3/4" (19mm)	3/4"	7/8"	FHN0.75	100'	50'	25'	15'	3'	Natural	1.8

Spools fit into Display (see page 30)



The heavy wall (1/32") construction, large available diameters and high expandability of Ultraflex Pro provides a high level of protection and ease of installation when used to insulate pipes and hoses subject to abrasion and vibration. Ultraflex Pro cuts easily with scissors, and the special heat treated construction minimizes fraying and dusting during assembly.

Put-Ups

NOMINAL SIZE	EXPANSION RANGE Min.	Max.	PART #	BULK SPOOL	SHOP SPOOL	RETAIL SPOOL	CLAM	BAG	AVAILABLE COLORS	LBS/ 100'
1/2" (13mm)	3/8"	5/8"	FHH0.50	100'	50'	25'	15'	3'	Natural	2.8
1" (25mm)	7/8"	1 3/8"	FHH1.00	50'	25'	15'	10'	3'	Natural	6.4
1 1/4" (32mm)	1"	1 3/4"	FHH1.25	50'	25'	15'	10'	3'	Natural	9.1
1 1/2" (38mm)	1 1/8"	2 1/8"	FHH1.50	50'	25'	15'	10'	3'	Natural	12.3

Spools fit into Display (see page 30)

••• Expands up to 50% for easy installation



Wire/Engine Harnesses

High Temperature Braided Yarns

High Abrasion Resistant Yarns

Put-Ups

NOMINAL SIZE	DIAMETER MIN	MAX	PART #	BULK SPOOL	SHOP SPOOL	RETAIL SPOOL	BAG	AVAILABLE COLORS	LBS/ 100'
1/8"(4mm)	2mm	4mm	NXN0.13	100'	25'	15'	10'	2	1.20
1/4"(6mm)	4mm	8mm	NXN0.25	100'	25'	15'	10'	2	5.00
3/8"(8mm)	5mm	12mm	NXN0.38	100'	25'	15'	10'	2	6.70
1/2"(12mm)	8mm	16mm	NXN0.50	100'	25'	15'	10'	2	9.10
5/8"(15mm)	10mm	20mm	NXN0.63	100'	25'	15'	10'	2	11.00
3/4"(20mm)	12mm	24mm	NXN0.75	100'	25'	15'	10'	2	13.40
1"(25mm)	15mm	30mm	NXN1.00	100'	25'	15'	10'	2	24.20
1 1/2"(35mm)	25mm	50mm	NXN1.50	100'	25'	15'	10'	2	40.30

Spools fit into Display (see page 30)

Color Available: Natural and Green.
Approved: RoHS Compliant, Halogen Free and Techflex Spec.

Soft, Pliable and Strong
Protects to 700°F
Resists Gasoline and Engine Chemicals
Exceptional Thermal Stability
Cut and Abrasion Resistant
Cuts easily with Scissors



Type 49 Kevlar
Up to 20 times Stronger than Steel

Put-Ups

NOMINAL SIZE	EXPANSION RANGE Min.	Max.	PART #	BULK SPOOL	SHOP SPOOL	RETAIL SPOOL	BAG	AVAILABLE COLORS	LBS/ 100'
1/4"	1/8"	5/16"	KVN0.25	500'	50'	25'	10'	Yellow	0.30
1/2"	1/4"	5/8"	KVN0.50	250'	50'	25'	10'	Yellow	0.96
3/4"	1/2"	7/8"	KVN0.75	250'	50'	25'	10'	Yellow	1.44
1"	3/4"	1 1/4"	KVN1.00	200'	25'	n/a	10'	Yellow	1.92
1 1/4"	1"	1 5/8"	KVN1.25	125'	25'	n/a	10'	Yellow	2.40
1 1/2"	1 1/4"	2"	KVN1.50	100'	25'	n/a	10'	Yellow	2.90
2"	1 1/2"	2 1/2"	KVN2.00	100'	25'	n/a	10'	Yellow	3.60

Spools fit into Display (see page 30)

Color Available: Yellow
Approved: RoHS Compliant, Halogen Free and Techflex Spec.

Will Not Melt, Burn or Support Combustion
Soft, Flexible and Pliable



IGNITION SYSTEM



- Battery Grounding Straps
- Ignition System Grounding
- A/V Cable Isolation
- Engine Hose Covers

Put-Ups

NOMINAL SIZE	AWG OF ENDS	CARRIERS	WIRES PER CARRIER	CURRENT CAPACITY AMPS	PART #	BULK SPOOL	SHOP SPOOL	RETAIL SPOOL	CLAM	BAG	AVAILABLE COLORS	LBS/ 100'
5/32"	36	24	10	40	MBN0.16	250'	100'	25'	n/a	5'	Silver	2.10
1/4"	36	24	16	53	MBN0.25	250'	100'	25'	n/a	5'	Silver	2.20
3/8"	36	48	8	53	MBN0.38	250'	100'	25'	n/a	5'	Silver	3.30
1/2"	30	24	15	120	MBN0.50	100'	50'	25'	n/a	5'	Silver	3.50
5/8"	36	48	15	70	MBN0.63	100'	50'	n/a	n/a	5'	Silver	3.60
25/32"	36	48	18	88	MBN0.78	100'	50'	n/a	n/a	5'	Silver	7.35
7/8"	30	48	7	100	MBN0.88	100'	50'	n/a	n/a	5'	Silver	10.30
1"	30	48	8	120	MBN1.00	100'	50'	n/a	n/a	5'	Silver	13.15
1 1/2"	30	48	12	145	MBN1.50	100'	50'	n/a	n/a	5'	Silver	18.40
2 1/4"	30	48	16	190	MBN2.25	100'	50'	n/a	n/a	5'	Silver	23.60
1/2"	30	24	15	120	MBH0.50	100'	50'	n/a	n/a	5'	Silver	16.00

Metal Braid Heavy Duty

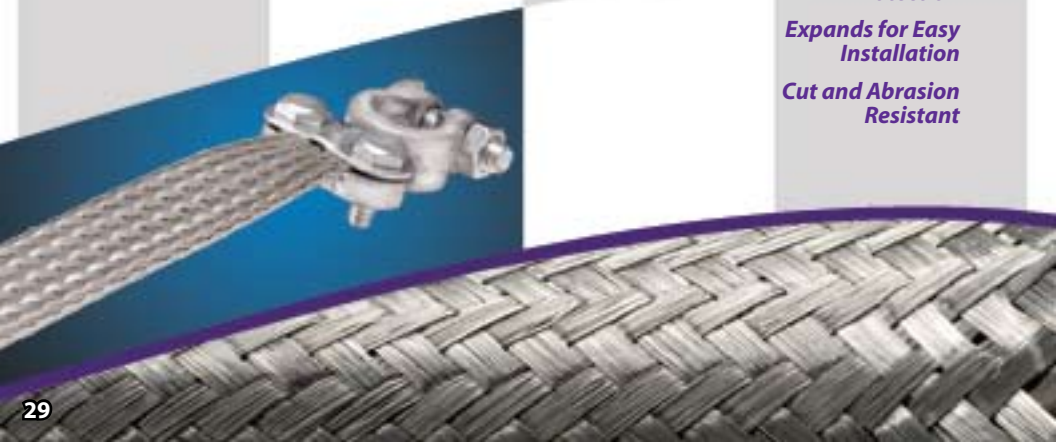
Spools fit into Display (see page 30)

Color Available: Silver.

Approved: RoHS Compliant and Techflex Spec.

Tinned Copper Sleeve for shielding, grounding and decoration. Our skill with braided sleeving extends to many materials including metal braid for a variety of applications. Our tinned copper braid is perfect for shielding on harnesses and cables. Wire conforms to ASTM-B 33.

High end automotive applications have always used braided metal for secure and efficient grounding applications. The material is also great for hose covering on hot rods and motorcycles.



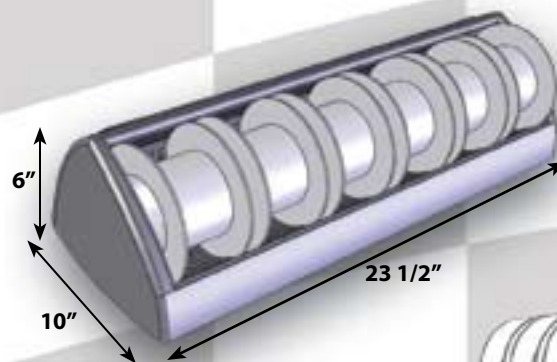
- EMI, RFI, ESD Protection
- Grounding Straps
- Engine Dress-Up
- Military Applications
- Extreme Blowout Protection
- Expands for Easy Installation
- Cut and Abrasion Resistant

DISPLAY RACKS



Spool and product management is now simpler and more efficient than ever. Our new display/dispenser rack allows easy control of sleeving inventories and provides a controlled system for neatly dispensing directly from the spools. The rack is constructed from tough ABS plastic, with plenty of room for a wide range of products. The spools simply drop into the preformed slots and turn freely for dispensing. Full visibility and access ensures easy management of remaining inventory and simple drop-in replacement of empty spools.

Products showing this symbol will fit into the display



Space saving, easy access design

Engineered for easy and secure wall mounting



P/N - DSN24.0BK





TECHFLEX

A Subsidiary of Dermody Associates Inc.
29 Brookfield Drive
Sparta, NJ 07871

PRESORTED STANDARD
U.S. POSTAGE
PAID
PERMIT NO. 88
SPARTA, NJ 07871

MAIL

Techflex Inc.
29 Brookfield Drive
Sparta, NJ 07871
Techflex West Inc.
300 East 16th St #306
Greely, CO 80631

CALL

1-800-323-5140
1-973-300-9242 NJ
1-970-352-2355 CO
FAX
1-973-300-9409 NJ
1-970-352-3828 CO

VISIT OUR WEBSITE

AT

www.techflex.com

© 2007 - Techflex, Inc.

All images, product names, brand names and logos presented in this publication are the registered property of Techflex, Inc. or other legal registrants, and are protected by U.S. and International copyright and trademark laws. Any reproduction of any part of this publication, in whole or in part, for any purpose, in any media whatsoever, is expressly prohibited without the explicit written consent of the owner.

The contents and illustrations contained herein are believed to be reliable. Techflex makes no warranties as to their accuracy or completeness and disclaims any liability in connection with their use. Techflex's only obligations are those in standard terms of sale for these products and Techflex will not be liable for any consequential or other damages arising due to use or misuse of these products or topographic errors or omissions. Users should make their own evaluation to determine the suitability of these products for their individual and specific applications.

**We are committed to providing the most advanced products, the widest selections,
the most knowledgeable customer service and the best value to our customers.**



TECHFLEX

New!
Take a look inside...



TECHFLEX